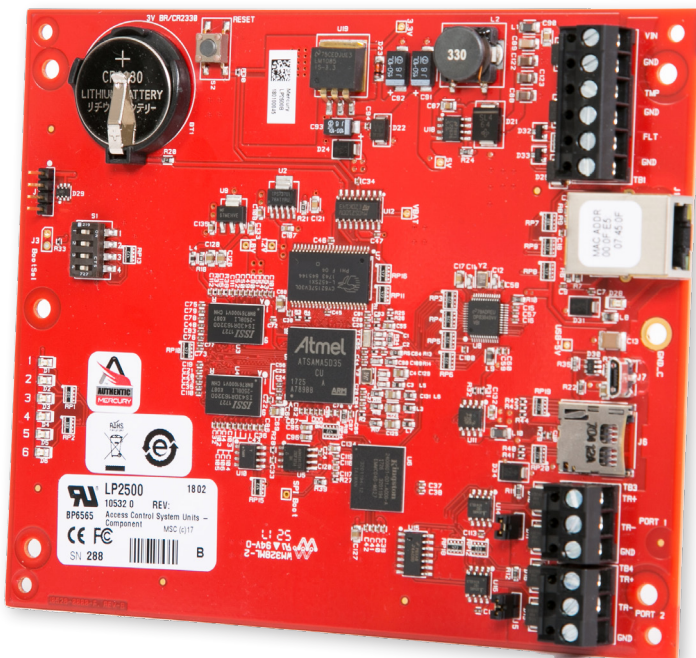




The new PremiSys LP Series intelligent controllers are Mercury Security's next generation advanced access control platform that runs on embedded Linux. The enhanced platform offers an improved processor and increased memory, plus feature an embedded crypto memory chip that provides a secured layer of encryption to onboard sensitive data. Built on the Authentic Mercury open platform, PremiSys LP Series intelligent controllers provide the necessary flexibility for channel partners and end customers to choose the controller configuration that best fits their needs.

The PREM-CTRLIP-LP is a powerful intelligent controller with native network support and is scalable to 64 doors/openings. Built on the Authentic Mercury platform, the intelligent controller uses an on-board Ethernet port to connect to server based access control hosts. The intelligent controller performs access control, alarm management and scheduled operations -- all in single package.

Capable of elaborate processes and procedures without host intervention, the intelligent controller, once programmed, can function independently of the host.



- **Open Architecture:** High performance, reliable platform enables use of hardware with the PremiSys access control solution
- **Enhanced Security:** Embedded crypto memory chip and data at rest encryption provides secured layer of protection of sensitive data
- **Versatile Interoperability:** Same reliable interface and identical footprint as the EP controllers, enabling seamless upgrades for existing deployments

Features

Third Party Integration Supported

- Wireless Locks
- Power Supply Alerts and Events

Security and Network

- IPv4
- Host communications protected by TLS 1.2/1.1 or AES-256/128
- Controller/IO Expansion connection protected by AES
- Generate and load custom peer certificates for TLS
- Port based network access control using 802.1X
- FIPS 140-2 user of OpenSSL

Database Functions

- Encrypted database with configurable sizing
- Supports up to 19 digital card numbers
- Supports pin codes up to 15 digits
- Up to 32 access levels per cardholder
- Card issue code (up to 32 bits), ADA and VIP flags

Mercury Part #LP2500

PremiSys™ IP Controller (No Onboard I/O)

PREM-CTRLIP-LP

PremiSys® IP Controller

Specifications

Access Control	600,000 cardholder capacity 50,000 transaction buffer Supports up to 2 RS-485 IO protocols 32 access levels per cardholder Cardholder - 19 Digit (64 Bit) User ID with 15 digit PIN MAX Activation/Deactivation If/Then macro capabilities Anti-passback support Nested, area, hard, soft and timed forgiveness Adjustable cardholder capacity Supports up to 1024 inputs and 1024 outputs
-----------------------	--

General

Primary Power	12 to 24 Vdc ± 10%, 250 mA maximum (USB port current not included)
Micro USB Port	5 Vdc, 500 mA maximum (add 270 mA to primary power current)
Battery	Memory/ Clock Backup: 3 Volt Lithium, type BR2330 or CR2330
microSD Card	Format: microSD or microSDHC; 2GB to 8GB
Host Comm.	Ethernet: 10-BaseT/100Base-TX and Micro USB port (2.0) with optional adapter: pluggable model USB2-OTGE100
Serial I/O Device	Two each: 2-wire RS-485, 2,400 to 115,200 bps, asynchronous, half-duplex, 1 start bit, 8 data bits, and 1 stop bit
Inputs	Two unsupervised dedicated for cabinet tamper and UPS fault monitoring

Cable Requirements

Power and Relays	1 twisted pair, 18 to 16 AWG
Ethernet	CAT-5, minimum
RS-485	1 twisted pair, shield, 120 ohm impedance, 24 AWG. 4,000 ft. (1,219 m) maximum cable length

Environmental

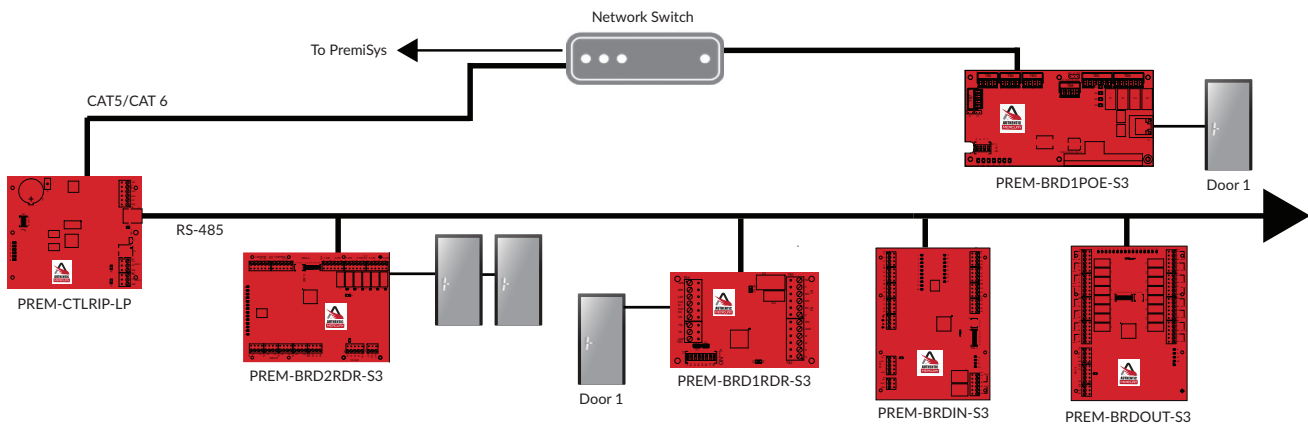
Temperature	-55 to 85 °C storage, 0 to 70 °C operating
Humidity	5 to 95% RHNC

Mechanical

Dimensions	5 in. (127 mm) W x 6 in. (152.4 mm) L x 1 in. (25 mm) H
Weight	4.1 oz. (115 gm) nominal, board only

Compliance

Product Compliance	UL294 Recognized, FCC Part 15 Class A, CE Compliant, RoHS, NIST Certified Encryption
---------------------------	--



1041 Byers Road · Miamisburg, OH 45342
TEL 855.367.4721 or 800.562.8749 · www.matrixsys.com

All brand and product names mentioned may be trademarks or registered trademarks of their respective companies in the United States and/or other countries. See current PremiSys® price list or other product documentation for warranties and limits of liability. Copyright © 2023 ACRE ® All rights reserved. Rev. 4/23