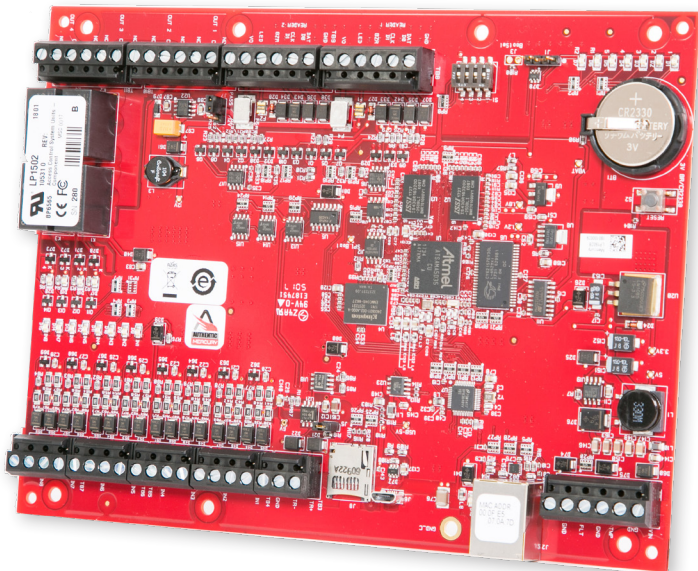




The new PremiSys LP Series intelligent controllers are Mercury Security's next generation advanced access control platform that runs on embedded Linux. The enhanced platform offers an improved processor and increased memory, plus feature an embedded crypto memory chip that provides a secured layer of encryption to onboard sensitive data. Built on the Authentic Mercury open platform, PremiSys LP Series controllers provide the necessary flexibility for channel partners and end customers to choose the controller configuration that best fits their needs.

The multi-port PREM-CTLR2RDR-LP is a dual card reader panel for controlling two connected doors and managing up to 64 doors/openings. Built on the Authentic Mercury platform, the intelligent controller uses on-board Ethernet port to connect to cloud or server based access control hosts. The intelligent controller performs access control, alarm management and scheduled operations -- all in single package.

With native connectivity, the high-performance PREM-CTLR2RDR-LP functions independently of the host for performing numerous access control applications and supports OSDP, OSDP Secure Channel, keypads, biometric readers, Wiegand, clock and data and magnetic stripe.



- **Open Architecture:** High performance, reliable platform enables use of hardware with PDC IDenticard's PremiSys access control solution
- **Enhanced Security:** Embedded crypto memory chip and data at rest encryption provides secured layer of protection of sensitive data
- **OSDP Protocol:** Secure channel communications for reader connectivity
- **Versatile Interoperability:** Same reliable interface and identical footprint as the EP controllers, enabling seamless upgrades for existing deployments

Features

Third Party Integration Supported

- Wireless Locks
- Power Supply Alerts and Events

Security and Network

- IPv4
- Host communications protected by TLS 1.2/1.1 or AES-256/128
- Controller/IO Expansion connection protected by AES
- Generate and load custom peer certificates for TLS
- Port based network access control using 802.1X
- FIPS 140-2 user of OpenSSL

Card Reader Functions

- Supports multiple card formats, paired and alternate readers, elevator, turnstile and biometric devices
- Anti-passback support (area, reader and time based)

Mercury Part #LP1502

PremiSys Two-Reader Controller

(2 Readers, 8 Inputs, 4 Outputs)

PREM-CTLR2RDR-LP

PremiSys® Two-Reader Controller

Specifications

Access Control	240,000 cardholder capacity 50,000 transaction buffer Supports total of 1 RS-485 IO protocols 32 access levels per cardholder Cardholder - 19 Digit (64 Bit) User ID with 15 digit PIN MAX Activation/Deactivation If/Then macro capabilities Anti-passback support Nested, area, hard, soft and timed forgiveness Adjustable cardholder capacity Supports up to 520 inputs and 516 outputs
-----------------------	---

General

Primary Power	12 to 24 Vdc ± 10 %, 500 mA maximum (reader and USB ports not included)
Reader Port	600 mA maximum (add 600 mA to primary power current)
Micro USB Port	5 Vdc, 500 mA maximum (add 270 mA to primary power current)
Battery	Memory/ Clock Backup: 3 Volt Lithium, type BR2330 or CR2330
microSD Card	microSD or microSDHC; 2GB to 8GB
Host Comm.	Ethernet: 10-BaseT/100Base-TX and USB port (2.0) with optional adapter: pluggable model USB2-OTGE100
Serial I/O Device	2-wire RS-485, 2,400 to 115,200 bps, asynchronous, half-duplex, 1 start bit, 8 data bits, and 1 stop bit
Inputs	Eight unsupervised/supervised, standard EOL: 1k/1k ohm, 1%, ¼ watt. Two unsupervised dedicated for cabinet tamper and UPS fault monitoring
Output Relays	Four relays, Form C, NO 5 A @ 30 Vdc resistive, NC 3 A @ 30 Vdc resistive

Reader Interface

Reader Power	12-24 Vdc ± 10 % regulated, 300 mA maximum each reader
Data Inputs	TTL compatible or 2-wire RS-485
RS-485 Mode	9,600 to 115,200 bps, asynchronous, half-duplex, 1 start bit, 8 data bits, and 1 stop bit. Maximum cable length: 2000 ft. (609.6 m)
LED Output	TTL levels, high>3 V, low<0.5 V, 5 mA source/sink maximum
Buzzer Output	Open collector, 12 Vdc open circuit maximum, 40 mA sink maximum

Cable Requirements

Power and Relays	1 twisted pair, 18 to 16 AWG
Ethernet	CAT-5, minimum
Reader RS-485	1 twisted pair, shielded, 120 ohm impedance, 24 AWG, 2,000 ft. (610 m) max
I/O Devices	1 twisted pair with drain wire and shield, 120 ohm impedance, 24 AWG, 4,000 ft. (1,219 m) maximum

Environmental

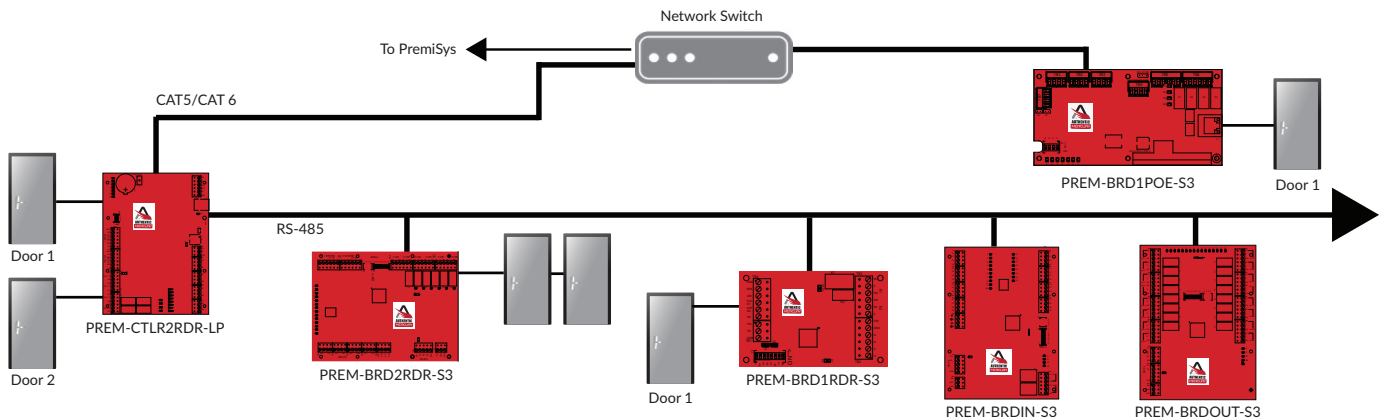
Temperature	-55 to 85 °C storage, 0 to 70 °C operating
--------------------	--

Mechanical

Dimensions	8 in. (203.2 mm) W x 6 in. (152.4 mm) L x 1 in. (25 mm) H
Weight	9 oz. (255 g) nominal, board only

Compliance

Product Compliance	UL294 Recognized, FCC Part 15 Class A, CE Compliant, RoHS, NIST Certified Encryption
---------------------------	--



1041 Byers Road · Miamisburg, OH 45342
 TEL 855.367.4721 or 800.562.8749 · www.matrixsys.com

All brand and product names mentioned may be trademarks or registered trademarks of their respective companies in the United States and/or other countries. See current PremiSys® price list or other product documentation for warranties and limits of liability. Copyright ©2023 ACRE®. All rights reserved. Rev. 04/23