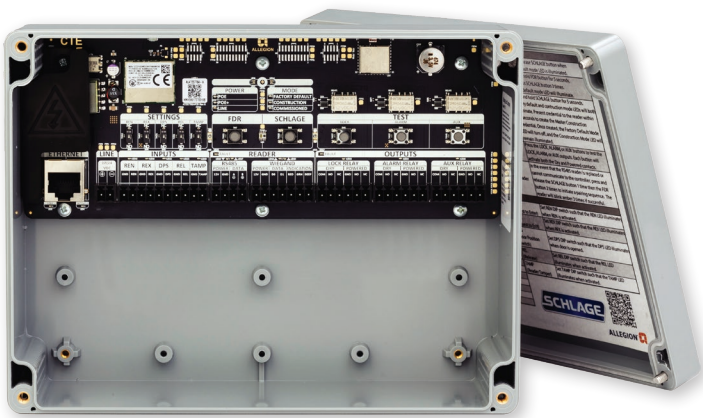




The CTE is an ENGAGE™ enabled single opening controller that allows perimeter and common area openings to be managed in a single system along with Schlage Control™ smart deadbolts, NDE cylindrical and LE mortise wireless locks. It is ideal for multifamily, commercial mixed use, and retail store front applications.

The CTE is designed to work with a Schlage® Multi-Technology credential reader and interface with an electrified lock, electromagnetic lock, electric strike, automatic operator, or exit device to control an opening.

The CTE single door controller is designed for flexibility and can be managed with PremiSys access control.



## Features and Benefits

- Enables around the door solution with ENGAGE™ functionality
- Built-in BLE and Wi-Fi
- Includes SCHLAGE-MT11 or SCHLAGE-MT15 reader (required)
- No-Tour capable with Resident Manager
- Flexible connectivity options: manage with PremiSys
- Inputs: door position (DPS), request to exit (REX), request to enter (REN), remote release (REL)
- Outputs: lock relay, alarm relay, auxiliary (AUX) relay
- Input Power: 12 or 24 VDC or Power over Ethernet (PoE)
- Provides DC output power and dry control contacts

## Credential Compatibility

Multi-technology reader specification	
125 kHz proximity credential compatibility	<b>Compatibility:</b> Schlage®, XceedID®, HID®, GE/CASI ProxLite®, AWID®
	<b>Schlage credential style formats:</b> Clamshell, ISO card, ISO card with magnetic stripe, keyfob, thin keyfob, and PVC adhesive disk
13.56 MHz smart credential compatibility <sup>1</sup>	<b>Secure sector compatibility:</b> Schlage and aptiQ™ MIFARE Classic®, XceedID, Schlage MIFARE Plus®, Schlage and aptiQ MIFARE® DESFire® EV1 with PACSA, Schlage and aptiQ mobile credentials
	<b>CSN only compatibility<sup>2</sup>:</b> DES Fire, HID IClass®, Inside Contactless Pico Tag®, MIFARE, MIFARE DESFire EV1, ST Microelectronics®, Texas Instruments Tag-It®, Phillips I-Code®
	<b>Schlage credential style formats:</b> Clamshell, ISO card, ISO card with magnetic stripe, keyfob, thin keyfob, wearable wristband, mobile, PVC adhesive patch

<sup>1</sup> Resident Manager applications require 13.56 MHz smart credentials from Schlage or aptiQ. Minimum memory size of 8k bit/1K byte required

<sup>2</sup> For applications where CSN is required, order CSN-formatted readers (APTIQ-MT11 or APTIQ-MT15)

The CTE can operate in the same system as Schlage Control™ Smart Deadbolts, NDE and LE wireless locks.

## CTE Single Door Controller with Multi-Technology Reader

ENGAGE-CTE-MT11

ENGAGE-CTE-MT15

# CTE Single Door Controller with Multi-Technology Reader

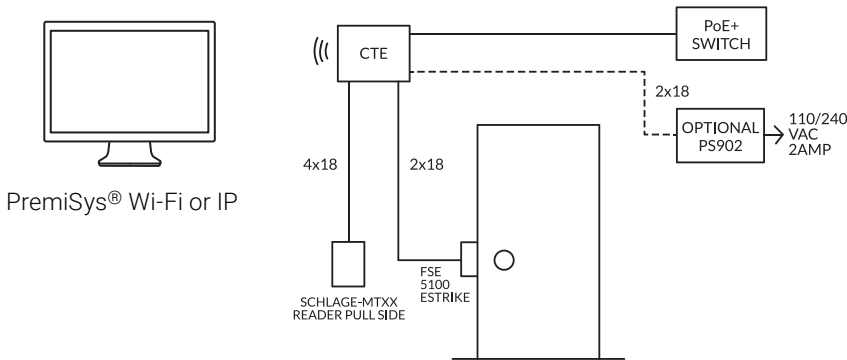
## Specifications

<b>Users</b>	Up to 5,000
<b>Audits</b>	Up to 2,000
<b>Schedules</b>	Up to 16
<b>Holidays</b>	Up to 32
<b>Time Zones</b>	Up to 16
<b>Communication Standards</b>	Bluetooth low energy (version 4.2)
	2.4 GHz Wi-Fi (IEEE 802.11b/g/n)
	WPA2, WPA, WEP, 802.1x (PEAP)
	Transport Layer Security (TLS) version 1.2
	Advanced Encryption Standard (AES), 256-bit
<b>Gateway Communication Range</b>	Up to 30' in typical building environments. A detailed site survey is recommended. Reference ENGAGE™ Gateway Data Sheet for additional details.
<b>Connectivity Options</b>	Mobile (send updates at door)
	Wi-Fi access point (automatic daily updates)
	ENGAGE Gateway, IP to host (networked wireless reader interface)
	No-Tour, requires MT20W enrollment reader and smart credentials
<b>Power Inputs</b>	12 or 24 VDC at 3 Amps input for powered outputs to get max 2 Amp output on relays, 0.5 Amp minimum input when using dry contacts.
	PoE/PoE+ (IEEE 802.3af/at)
<b>Powered Outputs: Locking Mechanism, Alarm, Auxiliary</b>	12 VDC in: 2A @ 12 VDC -- Max combined output across powered outputs
	24 VDC in: Max 2A @ 24 VDC -- Max combined output across powered outputs
	PoE in: Max 0.5A @ 12 VDC -- Max combined output across powered outputs
	PoE+ in: Max 1.5A @ 12 VDC -- Max combined output across powered outputs
<b>Powered Outputs: Reader</b>	0.3A @12 VDC (up to 500 ft.)
	External power source 12/24VDC -- (Output to reader is always 12VDC)
<b>Outputs (Dry): Locking Mechanism, Aux, Alarm</b>	Locking mechanism: 2A @ 30VDC max
	AUX: 2A @ 30VDC max
	Alarm: 2A @ 30VDC max
<b>Signal Inputs</b>	Reader SCHLAGE-MT11 or SCHLAGE-MT15
	Request-to-enter (REN)
	Request-to-exit (REX)
	Remote Release (REL) -- wired
	Door position switch (DPS)
<b>Operating Temperature (indoor)</b>	-31°F (-35°C) to 151°F (66°C)
<b>Operating Humidity</b>	0 - 100% non-condensing
<b>Certifications</b>	UL 294 indoor, FCC Part 15, NEMA Enclosure indoor (Type 1, 4, and 4X), ULC S319 indoor, RoHS
<b>Dimensions</b>	2.96" x 5.89" x 7.86"
<b>Reader Requirement</b>	SCHLAGE-MT11 or SCHLAGE-MT15

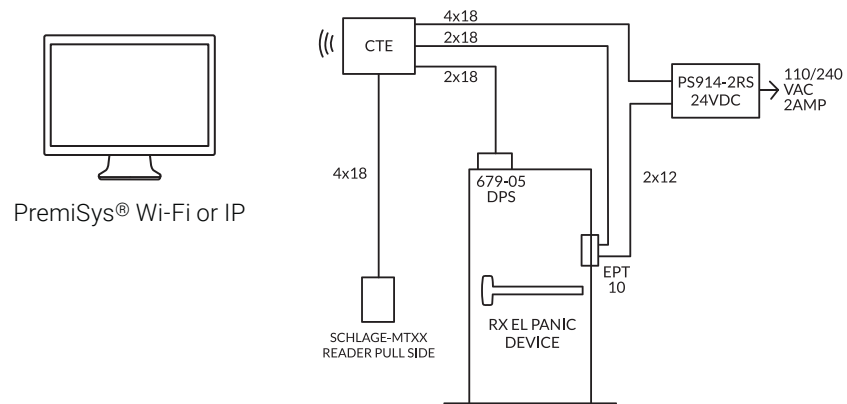
# CTE Single Door Controller with Multi-Technology Reader

The CTE single door controller with multi-technology reader kit can be used in a variety of applications; below are a few examples.

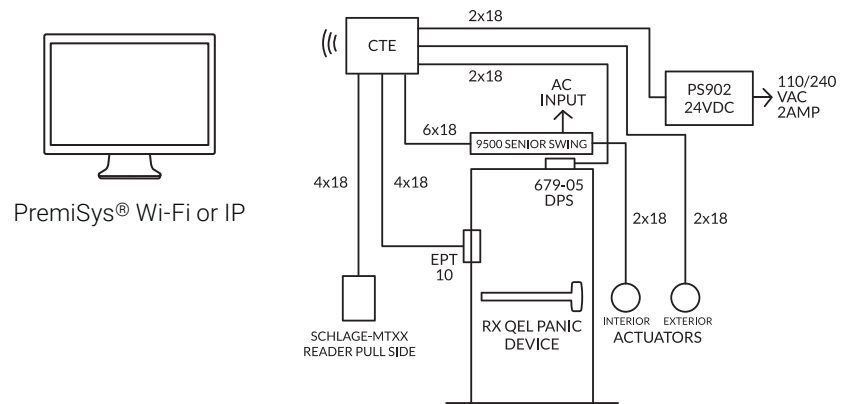
Please note: all components are sold separately.



**Operation:** Presenting a valid credential to SCHLAGE-MTXX reader will cause fail secure 5100 electric strike to release for authorized entrance. Free egress always.



**Operation:** Presenting a valid credential to SCHLAGE-MTXX will cause EL panic device to retract for authorized entrance. Free non-alarmed egress at all times.



**Operation:** Presenting a valid credential to SCHLAGE-MTXX will cause QEL panic device to retract for authorized entrance and enable exterior actuator. Free non-alarmed egress at all times. Interior actuator always active to retract QEL panic and open door.

Allegion, the Allegion logo, aptiQ, ENGAGE, Falcon, LCN, Schlage, the Schlage logo, Von Duprin and XceedID are trademarks of Allegion plc, its subsidiaries and/or affiliates in the United States and other countries. All other trademarks are the property of their respective owners.



1041 Byers Road · Miamisburg, OH 45342

TEL 855.367.4721 or 800.562.8749 · www.matrixsys.com

PR-023-0423